
Key Features

- * **Bluetooth Spec v2.0+EDR Compliant**
- * **Enhanced Data Rate (EDR) compliant with V2.0.E.2 of specification for both 2Mbps and 3Mbps modulation modes**
- * **Class 2 type Output Power**
- * **Full Speed Bluetooth Operation with Full Piconet Support**
- * **Scatternet Support**
- * **3.3V operation**
- * **Minimum External Components**
- * **USB,UART,SPI,PCM interface**
- * **Support for 8Mbit External Flash Onboard**
- * **Support for 802.11 Co-Existence**
- * **RoHS Compliant**

CSR,BC417143 B-IRN-E4
Rev.2.0
July, 2005



Product Description

BTM400_6B module is a Class 2 Bluetooth module using BlueCore4-Extended chipset from leading Bluetooth chipset supplier Cambridge Silicon Radio.

BTM400_6B module interfaces up to 8Mbit of 16-bit external Flash memory. When used with the CSR Bluetooth software stack, it provides a Bluetooth specification V2.0+EDR fully compliant system for data and voice communications .

Applications

- * Bluetooth carkit
 - * PCs
 - * Personal Digital Assistants (PDAs)
 - * Computer Accessories (compact Flash Cards, PCMCIA Cards, SD Cards and USB Dongles)
 - * Access Points
 - * Digital Cameras
-

Specifications

Operating Frequency Band	2.4GHz -2.48GHz unlicensed ISM band
Bluetooth Specification	V2.0+EDR
Output Power Class	Class 2
Operating Voltage	3.3V
Host Interface	USB 1.1/2.0 or UART
Audio Interface	PCM and Analog interface
Flash Memory Size	8Mbit
Dimension	26.9mm (L) x 13 (W) mm x 2.2mm (H)

* Specifications are subject to change without prior notice

Electrical Characteristics

Absolute Maximum Ratings		
Rating	Min	Max
Storage temperature	-40°C	+150°C
Supply voltage: VBAT	-0.4V	5.6V
Other terminal voltages	VSS-0.4V	VDD+0.4V

Recommended Operating Conditions		
Operating Condition	Min	Max
Operating temperature range	-40°C	+150°C
Guaranteed RF performance range ^(a)	-40°C	+150°C
Supply voltage: VBAT	2.2V	4.2V ^(b)

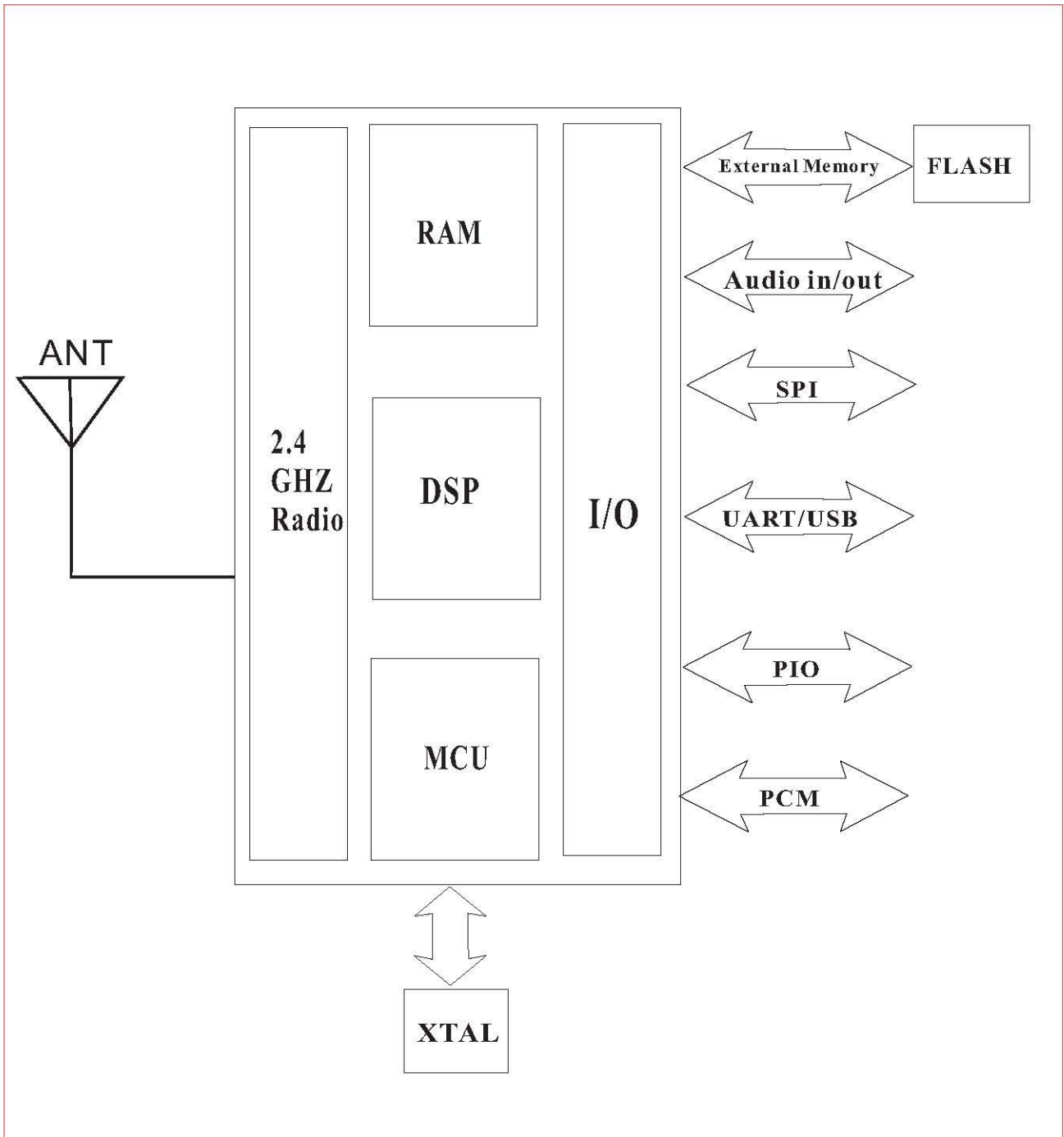
* Typical figures are given for RF performance between -40°C and +105°C.

Power Consumption

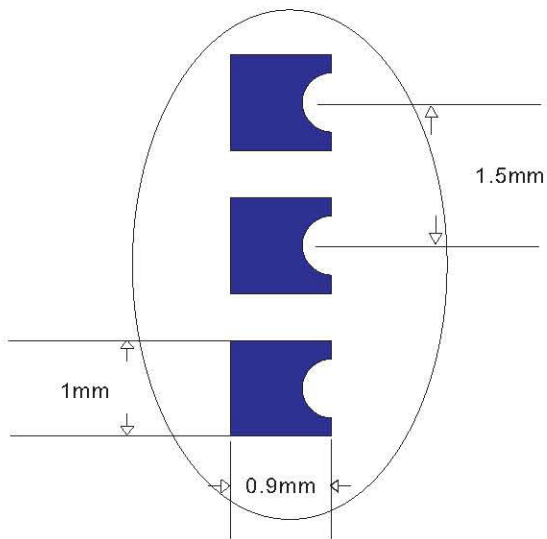
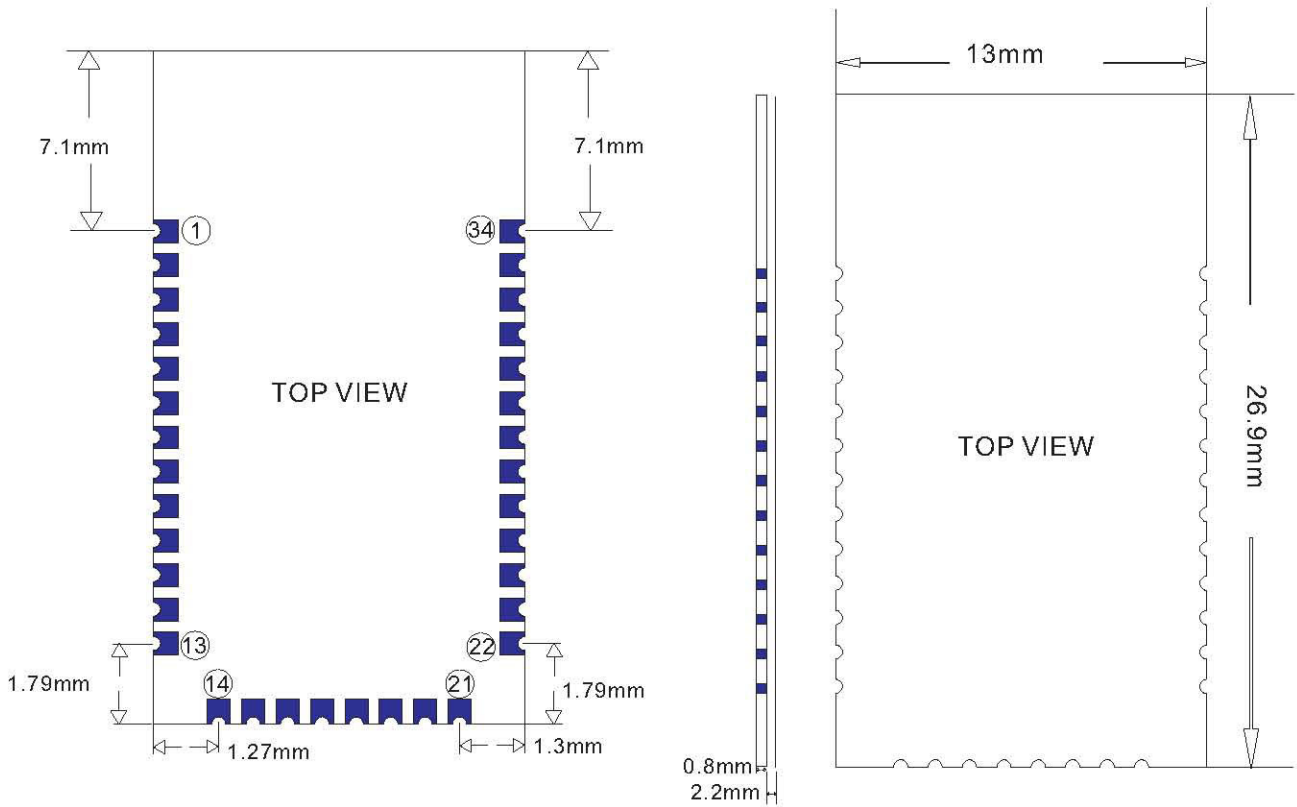
Operation Mode	Connection Type	UART Rate (kbps)	Average	Unit
Page scan	-	115.2	0.42	mA
ACL No traffic	Master	115.2	4.60	mA
ACL With file transfer	Master	2	10.3	mA
ACL 1.28s sniff	Master	38.4	0.37	mA
ACL 1.28s sniff	Slave	38.4	0.42	mA
SCO HV3 30ms sniff	Master	38.4	19.8	mA
SCO HV3 30ms sniff	Slave	38.4	19.0	mA
Standby Host connection ^(a)	-	38.4	40	μA

* Low power mode on the linear regulator is entered and exited automatically when the chip enters/leaves Deep Sleep mode. For more information about the electrical characteristics of the linear regulator, see section 4 in this document.

Block Diagram



BTM400_6B Module



NO	PIN NAME	NO	PIN NAME
1	UART-TX	18	SPI-MISO
2	UART-RX	19	SPI-CLK
3	UART-CTS	20	USB D+
4	UART-RTS	21	GND
5	PCM-CLK	22	GND
6	PCM-OUT	23	PIO(0)
7	PCM-IN	24	PIO(1)
8	PCM-SYNC	25	PIO(2)
9	AIO(0)	26	PIO(3)
10	AIO(1)	27	PIO(4)
11	RESET	28	PIO(5)
12	3.3V	29	PIO(6)
13	GND	30	PIO(7)
14	GND	31	PIO(8)
15	USB D-	32	PIO(9)
16	SPI-CSB	33	PIO(10)
17	SPI-MOSI	34	PIO(11)

Pin Configurations

PIN NO.	NAME	TYPE	FUNCTION	RE-MARK
1	UART-TX	CMOS Output	UART Data Output	
2	UART-RX	CMOS Input	UART Data Input	
3	UART-CTS	CMOS Input	UART Clear To Send Active Low	
4	UART-RTS	CMOS Output	UART Request To Send Active Low	
5	PCM-CLK	Bi-directional	Synchronous Data Clock	
6	PCM-OUT	CMOS Output	Synchronous Data Output	
7	PCM-IN	CMOS Input	Synchronous Data Input	
8	PCM-SYNC	Bi-directional	Synchronous Data Sync	
9	AIO(0)	Bi-directional	Programmable Input/Output Line	
10	AIO(1)	Bi-directional	Programmable Input/Output Line	
11	RESETB	CMOS Input	Reset if low. Input debounced so must be low for >5ms to cause a reset	
12	3.3V	POWER	+3.3V Supply	For 3.3V Version
13	GND	GND	Ground	
14	GND	GND	Ground	
15	USB D-	Bi-directional	USB Data Minus	
16	SPI-CSB	CMOS Input	Chip Select For Synchronous Serial Interface	
17	SPI-MOSI	CMOS Input	Serial Peripheral Interface Data Input	
18	SPI-MISO	CMOS Output	Serial Peripheral Interface Data Output	
19	SPI-CLK	CMOS Input	Serial Peripheral Interface Clock	
20	USB D+	Bi-directional	USB Data Plus with selectable internal 1.5K Ω	
21	GND	GND	Ground	
22	GND	GND	Ground	
23	PIO(0)	Bi-directional with programmable strength	Control output for external LNA (if fitted)	
24	PIO(1)	Bi-directional with programmable strength	Control output for external PA (if fitted)	
25	PIO(2)	Bi-directional	Programmable Input/Output Line	
26	PIO(3)	Bi-directional	Programmable Input/Output Line	
27	PIO(4)	Bi-directional with programmable strength	Programmable Input/Output Line or optional BT Priority/CH Clk output for co-	
28	PIO(5)	Bi-directional with programmable strength	Programmable Input/Output Line or optional BT Active output for co-existence	
29	PIO(6)	Bi-directional with programmable strength	Programmable Input/Output Line or optional WLAN Active/Ch Data input for co-	
30	PIO(7)	Bi-directional	Programmable Input/Output Line	
31	PIO(8)	Bi-directional	Programmable Input/Output Line	
32	PIO(9)	Bi-directional	Programmable Input/Output Line	
33	PIO(10)	Bi-directional	Programmable Input/Output Line	
34	PIO(11)	Bi-directional	Programmable Input/Output Line	